

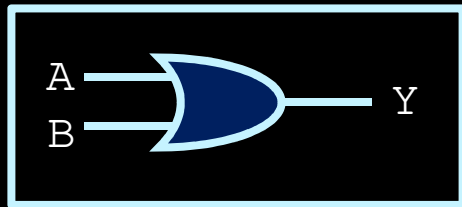


Week 1 Quiz

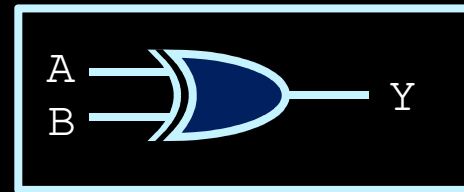
Question 1

What is symbol for the XOR Gate?

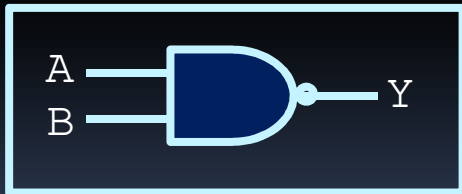
A.



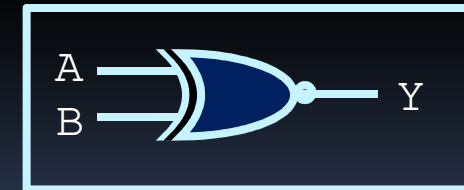
B.



C.

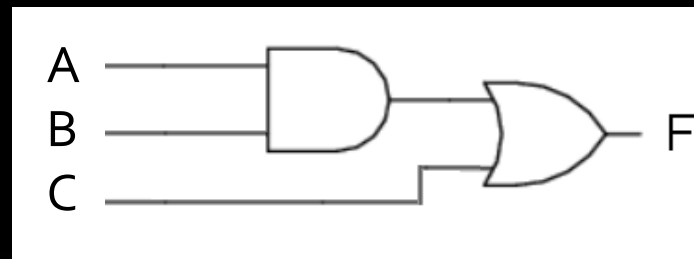


D.



Question 2

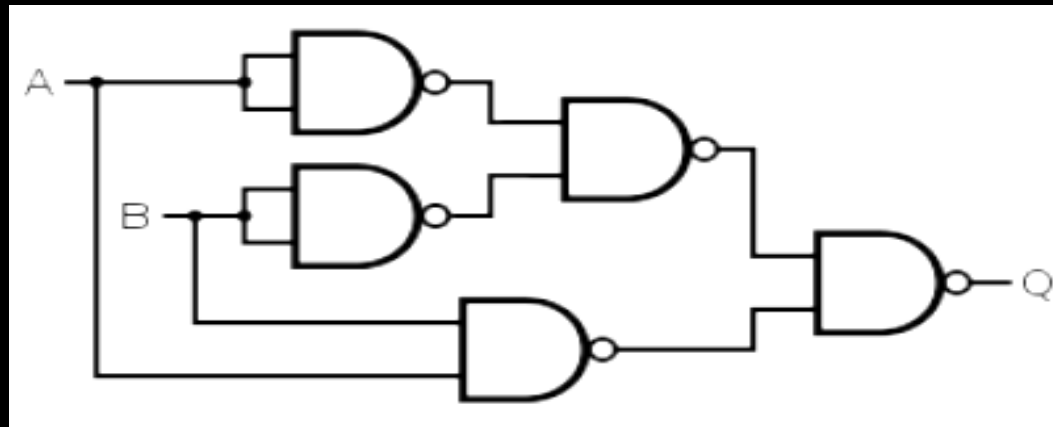
What is the Boolean equation for the following logic circuit?



Answer: $F = (A.B) + C$

Question 3

What is the Boolean equation for the following logic circuit?



Answer: $Q = [(A'.B')' . (A.B)]'$
 $= A.B + A'.B'$
aka A XNOR B

Question 4

The table below is the truth table for XNOR gate.
What are the values at P Q R and S?

A	B	Y
0	0	P
0	1	Q
1	0	R
1	1	S

Answer: 1, 0, 0, and 1