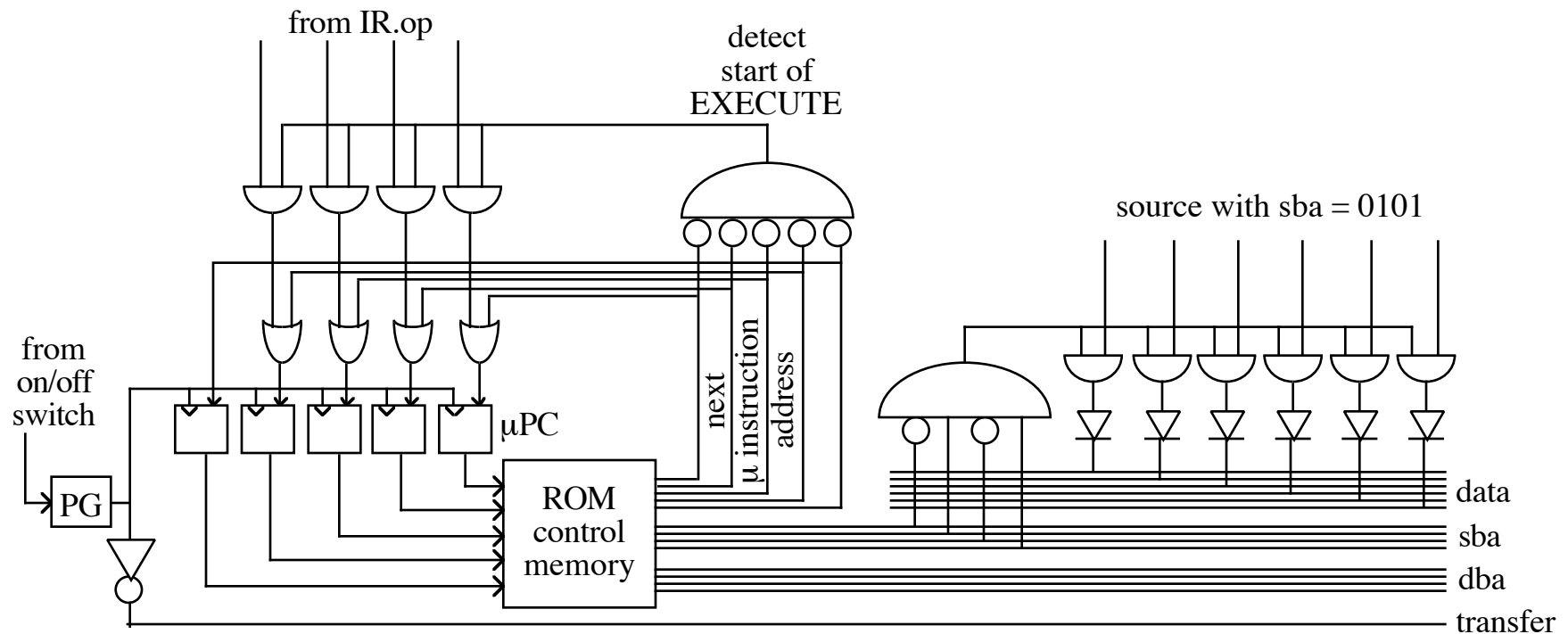


DETAIL OF MICRO-PROGRAM CONTROL

(but not showing the correct numbers of things)



note: is a diode, which is part of an OR gate. Logically, each wire from a source connecting to a bus data line is ORed with the corresponding wires from all other sources