

# Recurrent Neural Networks (RNN)

KING LEAR:

O, if you were a feeble sight, the courtesy of your law,  
Your sight and several breath, will wear the gods  
With his heads, and my hands are wonder'd at the deeds,  
So drop upon your lordship's head, and your opinion  
Shall be against your honour.

<http://karpathy.github.io/2015/05/21/rnn-effectiveness/>

# Motivating Example: Language Models

- Want to assign probability to a sentence
  - “Dafjdkf adkjfhalj fadlag dfah” – zero probability
  - “Furiously sleep ideas green colorless” – very low probability
  - “Colorless green ideas sleep furiously” – slightly higher
  - “The quick brown fox jumped over the lazy dog” – even higher

# Application for Language Models

- Applications
  - OCR gives several hypotheses, need to choose the most probable one
  - Choose a plausible translation from English to French
  - Complete the sentence “A core objective of a learner is to generalize from its [...]”
- In every case, a language model can be used to evaluate all the possible hypotheses, and select the one with the highest probability

# Sentence Completion

- Suppose a language model  $M$  can compute

$$P_M(w_1, w_2, \dots, w_k)$$

- For an incomplete sentence  $w_1 w_2 w_3 \dots w_{k-1}$ , find  $\operatorname{argmax}_{w_k} P(w_1, w_2, w_3, \dots, w_k)$  to complete the sentence

- Now, fix  $w_k$ , and find

$$\operatorname{argmax}_{w_{k+1}} P(w_1, w_2, w_3, \dots, w_k, w_{k+1})$$

# Probabilistic Sentence Generation

- $P(w_k | w_1, w_2, \dots, w_{k-1}) = \frac{P(w_1 \dots w_{k-1} w_k)}{P(w_1 \dots w_{k-1})} \propto P(w_1 \dots w_{k-1} w_k)$
- Choose word  $w^{(j)}$  according to
$$\frac{\exp(\alpha \hat{P}(w_1 w_2 \dots w_{k-1} w^{(j)}))}{\sum_j \exp(\alpha \hat{P}(w_1 w_2 \dots w_{k-1} w^{(j)}))}$$
- (Question: Higher  $\alpha \Rightarrow$  ?)
- Generally, take  $\hat{P}$  to be the input to the softmax that produces the probability in the RNN (better), or simply the probability of the sentence

# Generating “Shakespeare” character-by-character with RNN

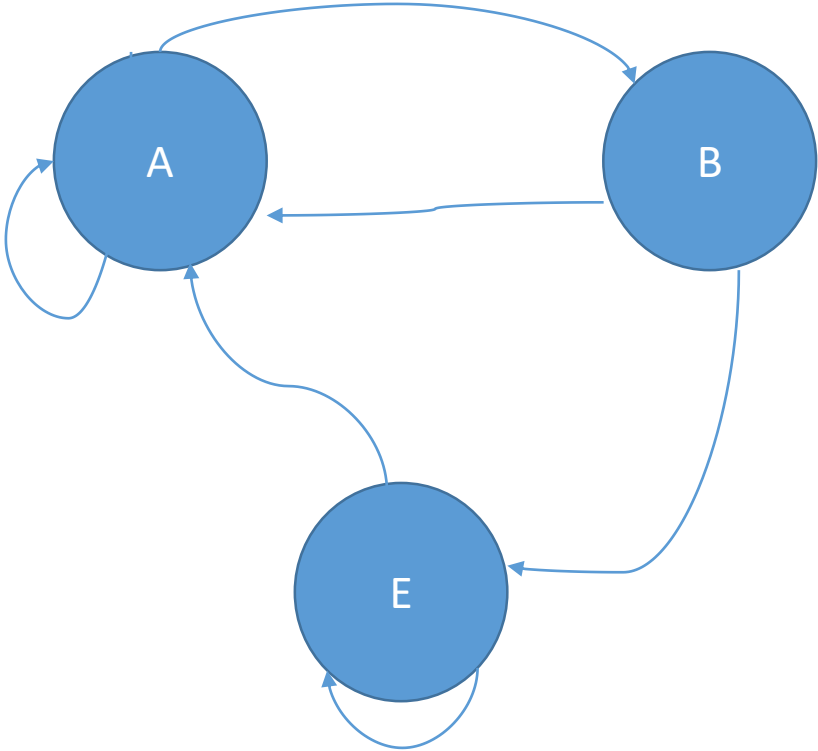
KING LEAR:

O, if you were a feeble sight, the courtesy of your law,  
Your sight and several breath, will wear the gods  
With his heads, and my hands are wonder'd at the deeds,  
So drop upon your lordship's head, and your opinion  
Shall be against your honour.

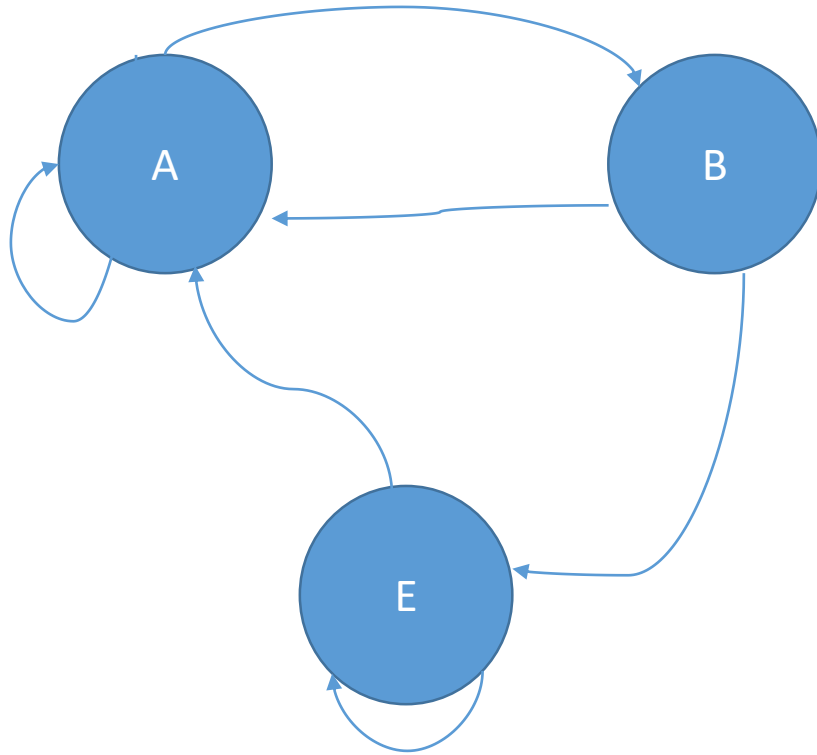
<http://karpathy.github.io/2015/05/21/rnn-effectiveness/>

(Here, the *w*'s are *characters*, not words)

# Generating Strings with Finite State Machines



# Generating Strings with Finite State Machines



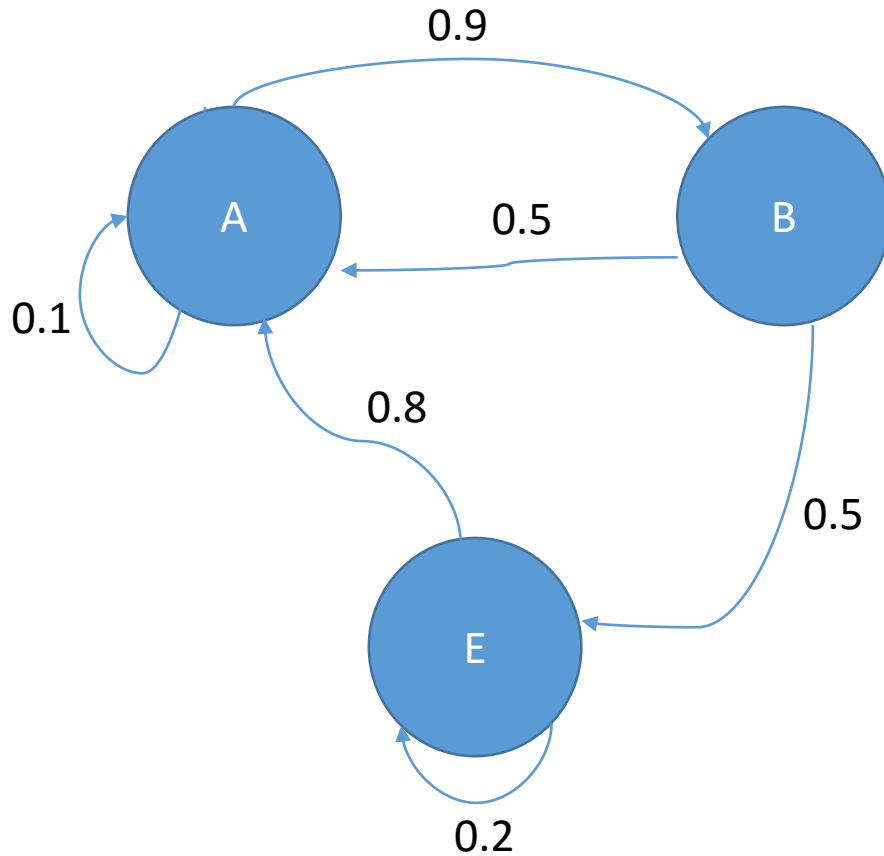
ABAEEAAEABEEEEAAABEEAAB – Not allowed

AABEA – Allowed

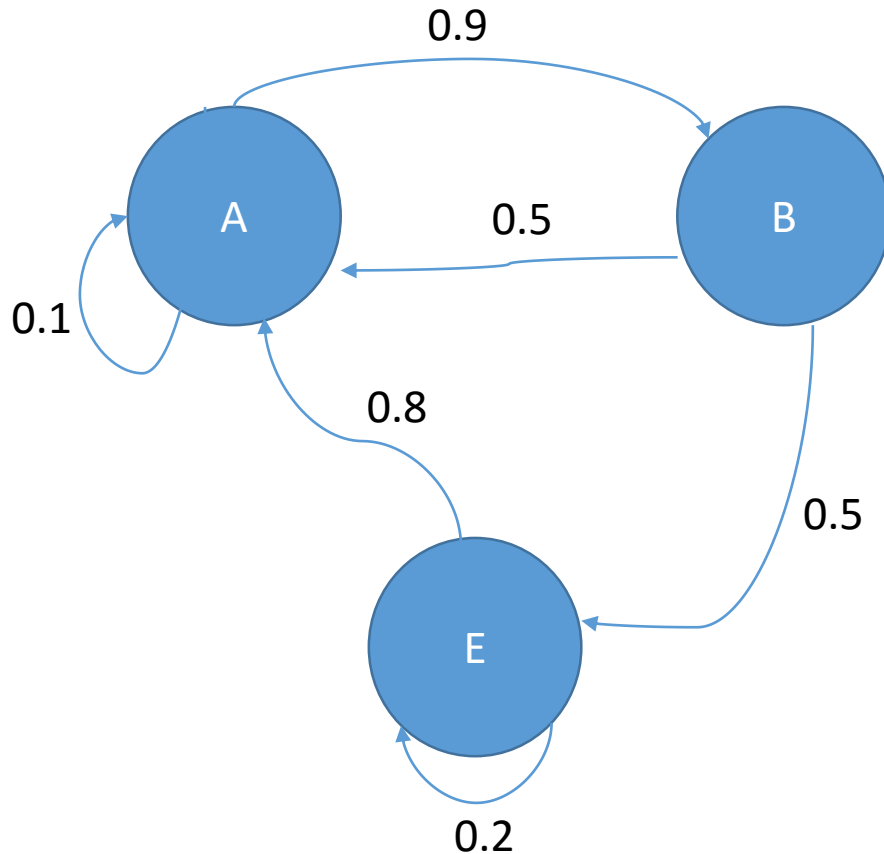
ABBA – Not allowed



# Markov Models: Probabilistic Finite State Machines



# Markov Models: Probabilistic Finite State Machines



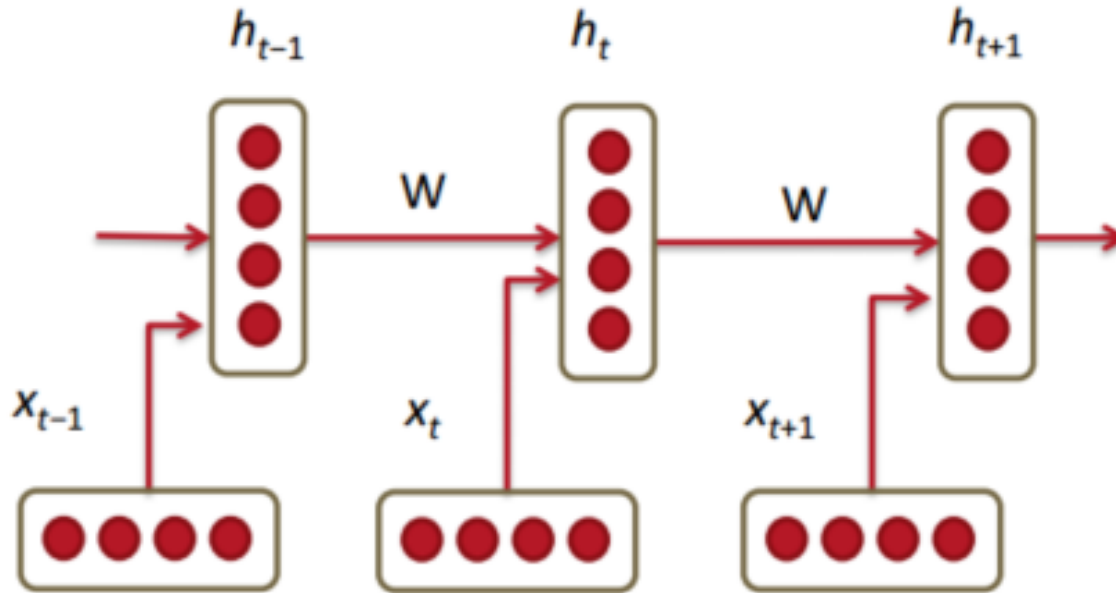
$$P(w_k = A | w_{k-1} = E) = 0.8$$

$$P(w_k = B | w_{k-1} = B) = 0$$

# A More Complicated FSM

- Suppose our alphabet is {"a", "b", "c", "e", "i"}
- Encode the rule:
  - "i" before "e," except after "c"
  - (think "receive," "believe," "deceit" ...)

# Recurrent Neural Networks

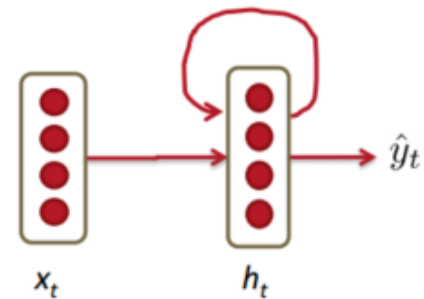
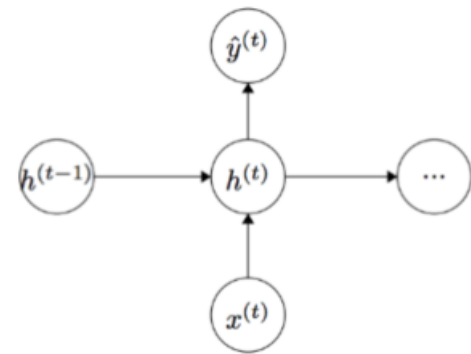


$x_t$ -the  $t^{\text{th}}$  character of the string (“the character at time  $t$ ”)

$h_t$ -the  $t^{\text{th}}$  character of the string (“the character at time  $t$ ”)

# RNN for Language Modelling

- Given a list of word vectors (e.g., one-hot encodings of words)  $x_1, \dots, x_{t-1}, x_t, x_{t+1}, \dots, x_T$   
At a single time step:
  - $h_t = \sigma(W^{(hh)}h_{t-1} + W^{(hx)}x_t)$
  - $\hat{y}_t = \text{softmax}(W^{(S)}h_t)$
  - $\hat{P}(x_{t+1} = v_j | x_1, x_2, \dots, x_t) = \hat{y}_{t,j}$
- $h$  is the *state* (e.g., the previous word vector could be part of  $h$ )
- $x_t$  is the data
- $\hat{y}_t$  is the predicted output



# Cost Function

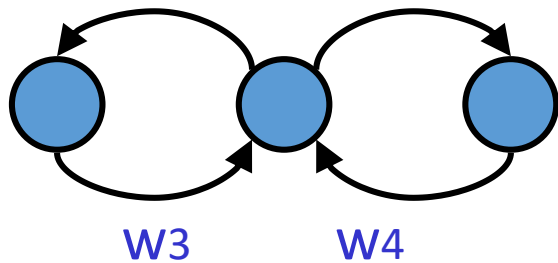
- Same as before: negative log-probability of the right answer:

$$J^{(t)} = -\sum_{j=1}^V y_{t,j} \log \hat{y}_{t,j}$$

$$J = \sum_t J^{(t)}$$

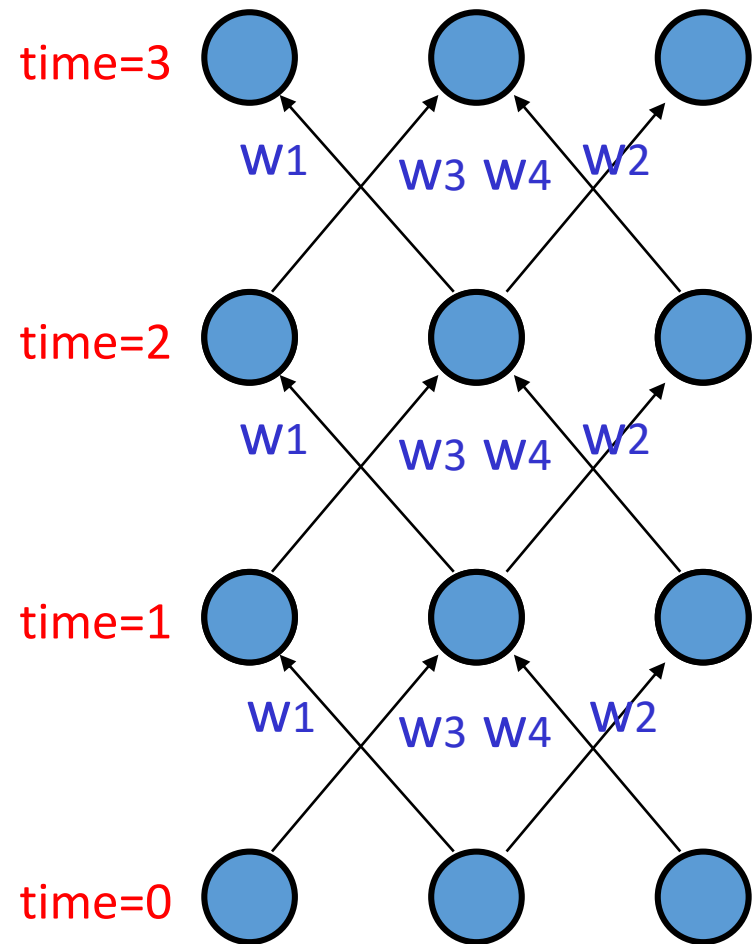
- $\hat{y}_{t,j} = 1$  iff  $x_{t+1} = v_j$

# RNN “=” feedforward net with shared weights

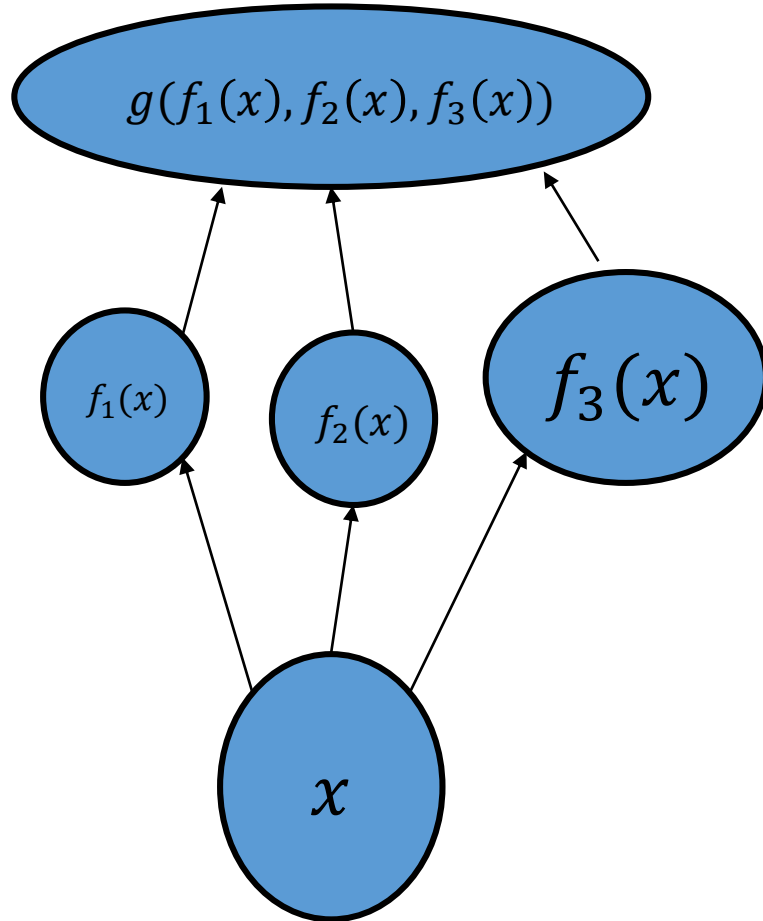


Assume that there is a time delay of 1 in using each connection.

The recurrent net is just a layered net that keeps reusing the same weights.



# Reminder: Multivariate Chain Rule

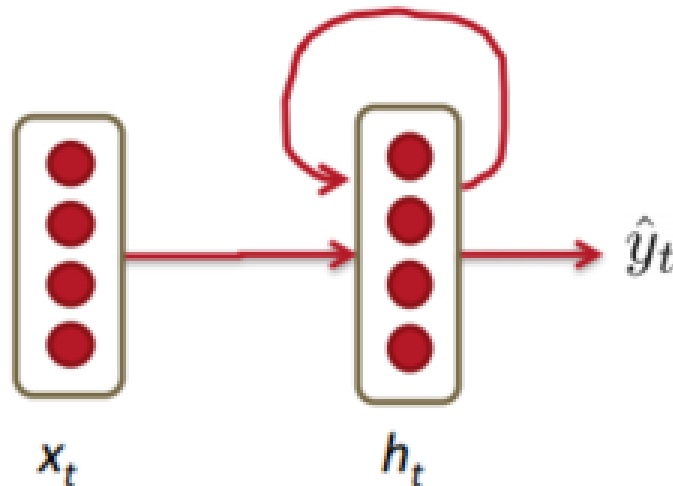


$$\frac{\partial g}{\partial x} = \sum \frac{\partial g}{\partial f_i} \frac{\partial f_i}{\partial x}$$



# Gradient

- $\frac{\partial J}{\partial W} = \sum_t \frac{\partial J^{(t)}}{\partial W}$
- $\frac{\partial J^{(t)}}{\partial W} = \sum_{k=1}^t \frac{\partial J^{(t)}}{\partial h_k} \frac{\partial h_k}{\partial W} = \sum_{k=1}^t \frac{\partial J^{(t)}}{\partial h_t} \frac{\partial h_t}{\partial h_k} \frac{\partial h_k}{\partial W}$



# Vanishing an Exploding Gradient



$$\bullet \frac{\partial J^{(t)}}{\partial W} = \sum_{k=1}^t \frac{\partial J^{(t)}}{\partial h_k} \frac{\partial h_k}{\partial W} = \sum_{k=1}^t \frac{\partial J^{(t)}}{\partial h_t} \frac{\partial h_t}{\partial h_k} \frac{\partial h_k}{\partial W}$$

$$\bullet \frac{\partial h_t}{\partial h_k} = \prod_{j=k+1}^t \frac{\partial h_j}{\partial h_{j-1}}$$

- Assume 1-d h's

- In fact, they are vectors

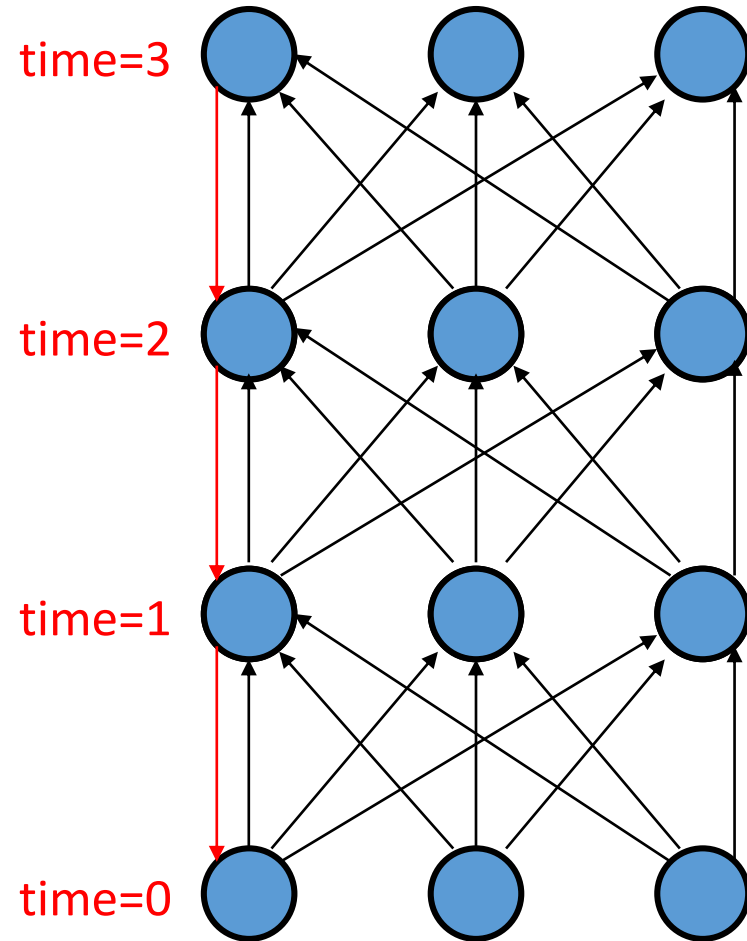
- Often,  $\left| \frac{\partial h_j}{\partial h_{j-1}} \right| < 1$  for all j or  $\left| \frac{\partial h_j}{\partial h_{j-1}} \right| > 1$  for all j

- They are all related by the same weight to each other

- This means that  $\frac{\partial h_t}{\partial h_k}$  is either very close to 0 (vanishing grad.) or very large (exploding grad.) for large  $|t - k|$

# Vanishing Gradient is a Problem

Problem: if the gradient vanishes, we can't figure out that the weight needs to be changed because of what's happening at time=0 to make the cost function at time=n smaller



# Exploding Gradient is a Problem

- Why?
- “Hacky” solution: clip the gradients

# Vanishing Gradient in Language Models

- In the case of language modeling or question answering words from steps far away are not taken into consideration when training to predict the next word
- Example:  
*Jane walked into the room. John walked in too. It was late in the day. Jane said hi to \_\_\_\_\_*

# Visualizing the hidden state\*

Cell sensitive to position in line:

The sole importance of the crossing of the Berezina lies in the fact that it plainly and indubitably proved the fallacy of all the plans for cutting off the enemy's retreat and the soundness of the only possible line of action--the one Kutuzov and the general mass of the army demanded--namely, simply to follow the enemy up. The French crowd fled at a continually increasing speed and all its energy was directed to reaching its goal. It fled like a wounded animal and it was impossible to block its path. This was shown not so much by the arrangements it made for crossing as by what took place at the bridges. When the bridges broke down, unarmed soldiers, people from Moscow and women with children who were with the French transport, all--carried on by vis inertiae--pressed forward into boats and into the ice-covered water and did not, surrender.

Karpathy et al. "Visualizing and Understanding Recurrent Networks"  
<http://arxiv.org/abs/1506.02078>

\*The RNN there is somewhat more complicated than what we saw so far

Cell that turns on inside quotes:

"You mean to imply that I have nothing to eat out of.... On the contrary, I can supply you with everything even if you want to give dinner parties," warmly replied Chichagov, who tried by every word he spoke to prove his own rectitude and therefore imagined Kutuzov to be animated by the same desire.

Kutuzov, shrugging his shoulders, replied with his subtle penetrating smile: "I meant merely to say what I said."

Karpathy et al. "Visualizing and Understanding Recurrent Networks"  
<http://arxiv.org/abs/1506.02078>

A large portion of cells are not easily interpretable. Here is a typical example:

```
/* Unpack a filter field's string representation from user-space
 * buffer. */
char *audit_unpack_string(void **bufp, size_t *remain, size_t len)
{
    char *str;
    if (!*bufp || (len == 0) || (len > *remain))
        return ERR_PTR(-EINVAL);
    /* Of the currently implemented string fields, PATH_MAX
     * defines the longest valid length.
     */
}
```

Karpathy et al. "Visualizing and Understanding Recurrent Networks"  
<http://arxiv.org/abs/1506.02078>