



Lecture 4: Showing the architecture

- **Coupling and Cohesion**
- **UML Package Diagrams**
- **Software Architectural Styles**

Coupling and Cohesion

Architectural Building blocks:



A good architecture:

Minimizes **coupling** between modules:

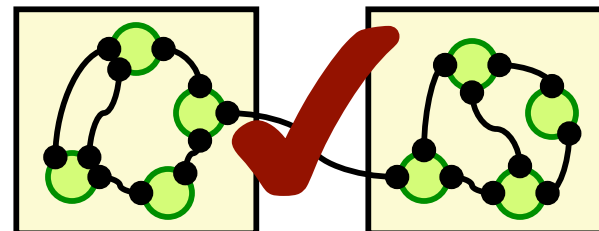
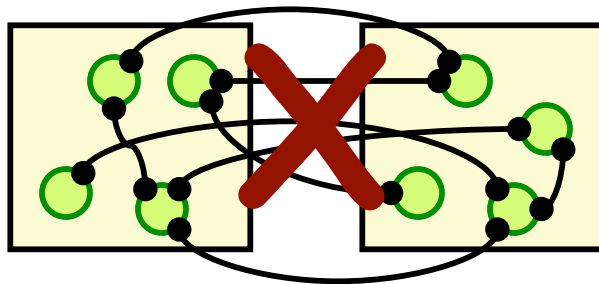
Goal: modules don't need to know much about one another to interact

Low coupling makes future change easier

Maximizes the **cohesion** of each module

Goal: the contents of each module are strongly inter-related

High cohesion makes a module easier to understand



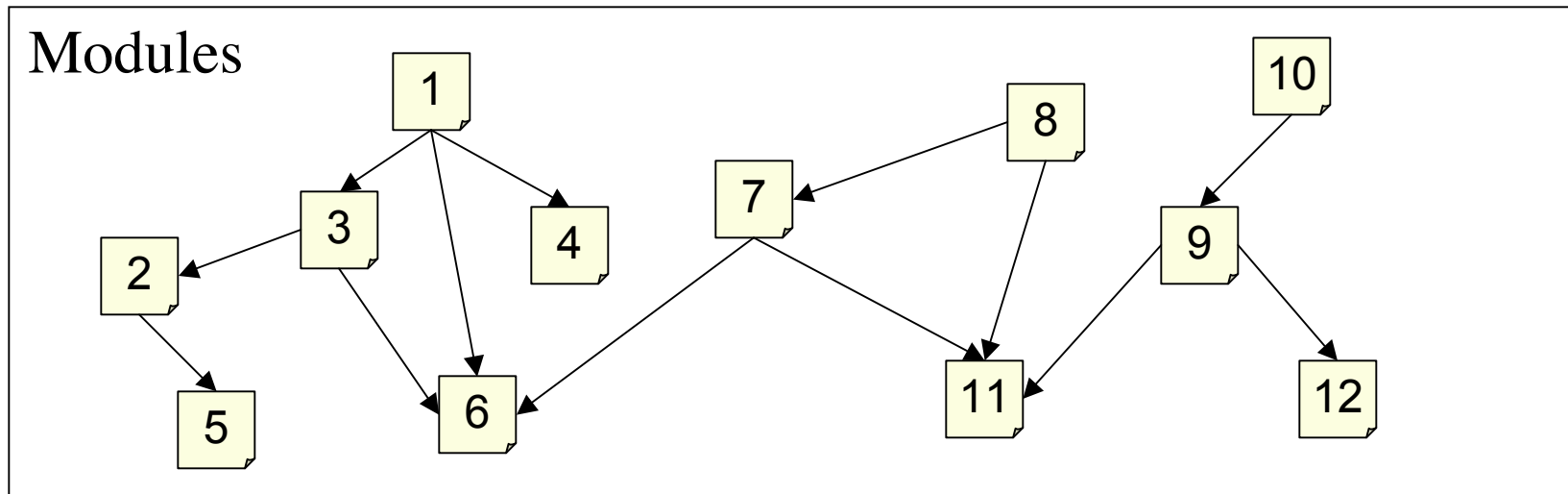
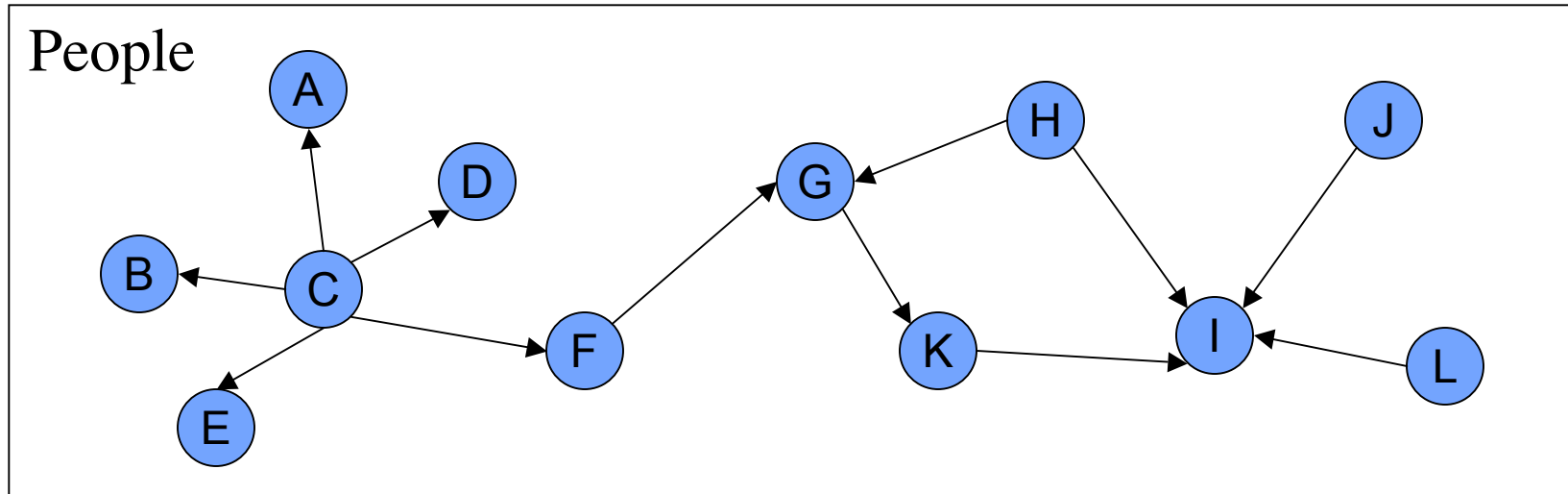


Conway's Law

**“The structure of a software system
reflects the structure of the organisation
that built it”**



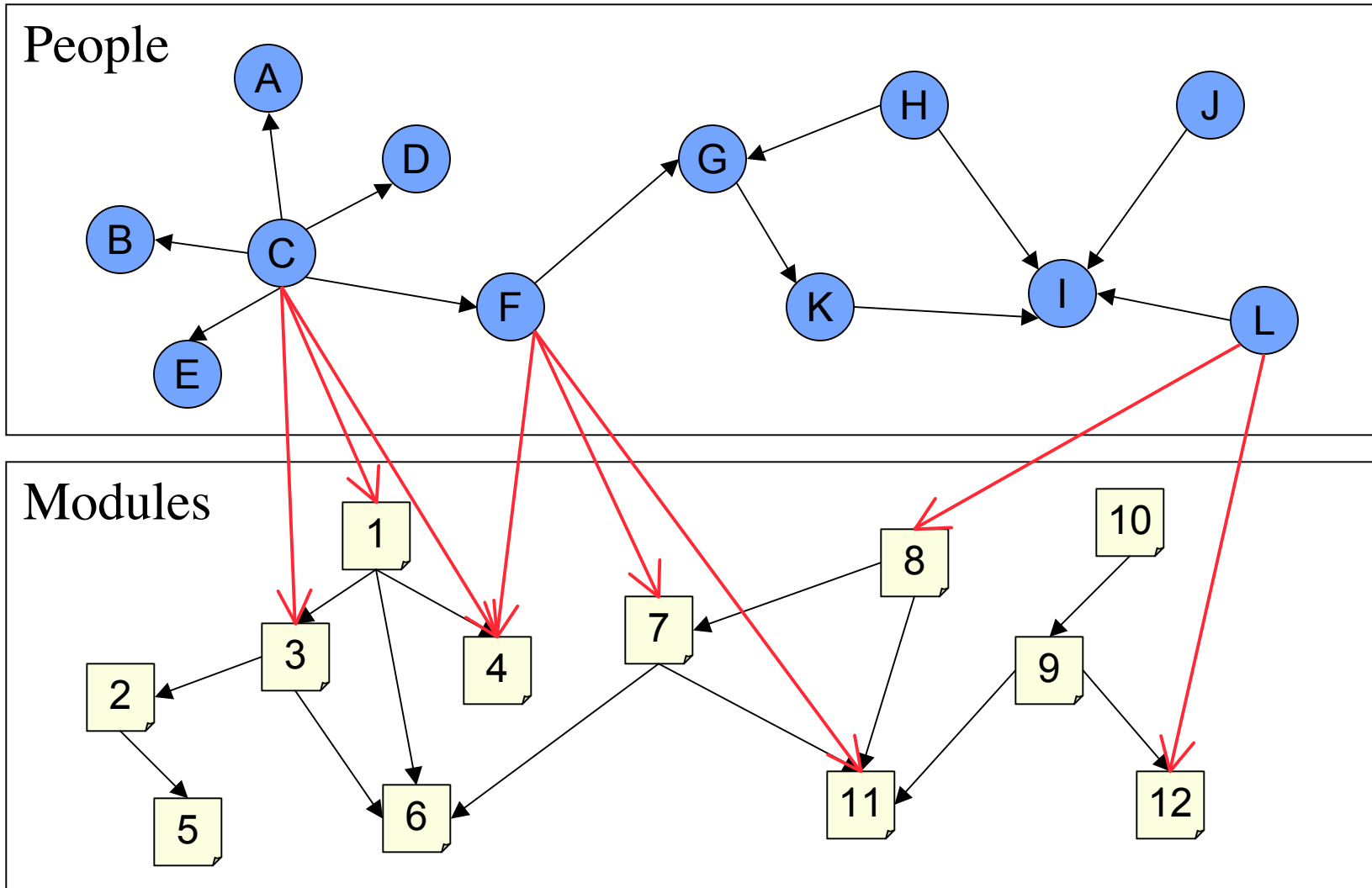
Socio-Technical Congruence



See: Valetto, et al., 2007.



Socio-Technical Congruence



See: Valetto, et al., 2007.



Software Architecture

A software architecture defines:

the components of the software system

how the components use each other's functionality and data

How control is managed between the components

An example: client-server

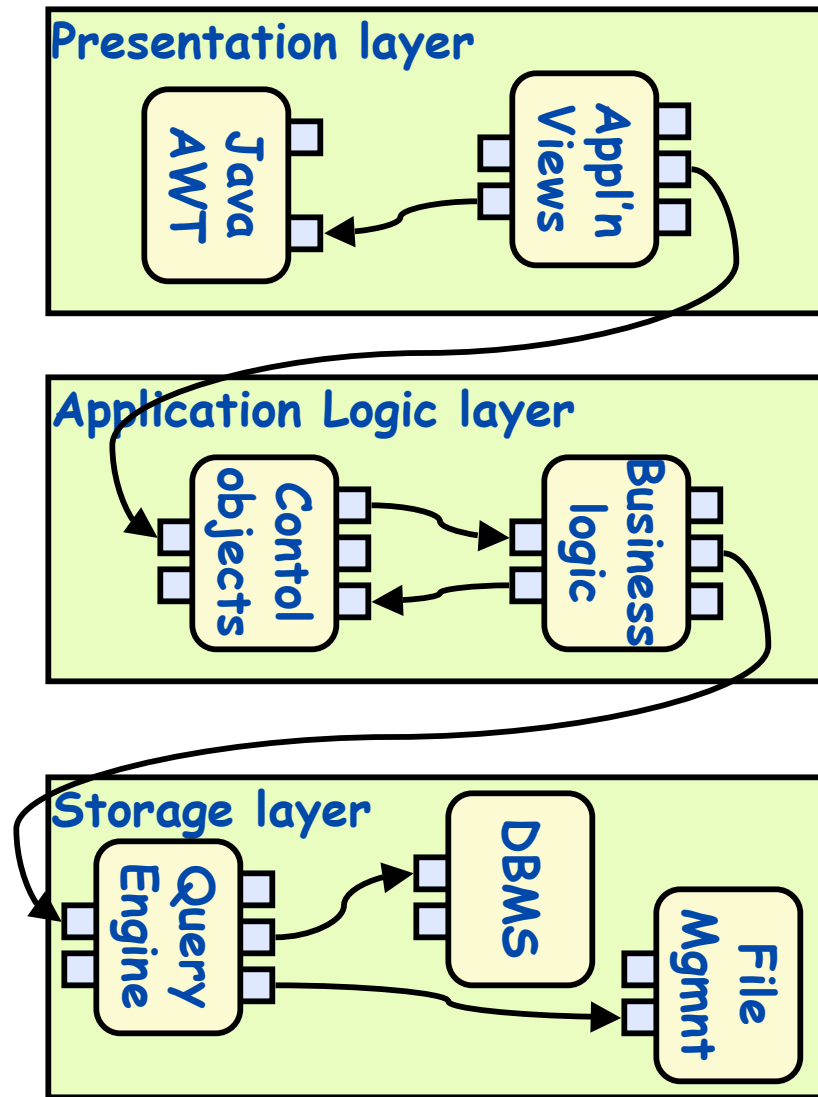
Servers provide some kind of service; clients request and use services

applications are located with clients

data storage is treated as a server



3-layer architecture



This is not UML!



UML Packages

We need to represent our architectures

UML elements can be grouped together in packages

Elements of a package may be:

- other packages (representing subsystems or modules);
- classes;
- models (e.g. use case models, interaction diagrams, statechart diagrams, etc)

Each element of a UML model is owned by a single package

Criteria for decomposing a system into packages:

Ownership

who is responsible for working on which diagrams

Application

each problem has its own obvious partitions;

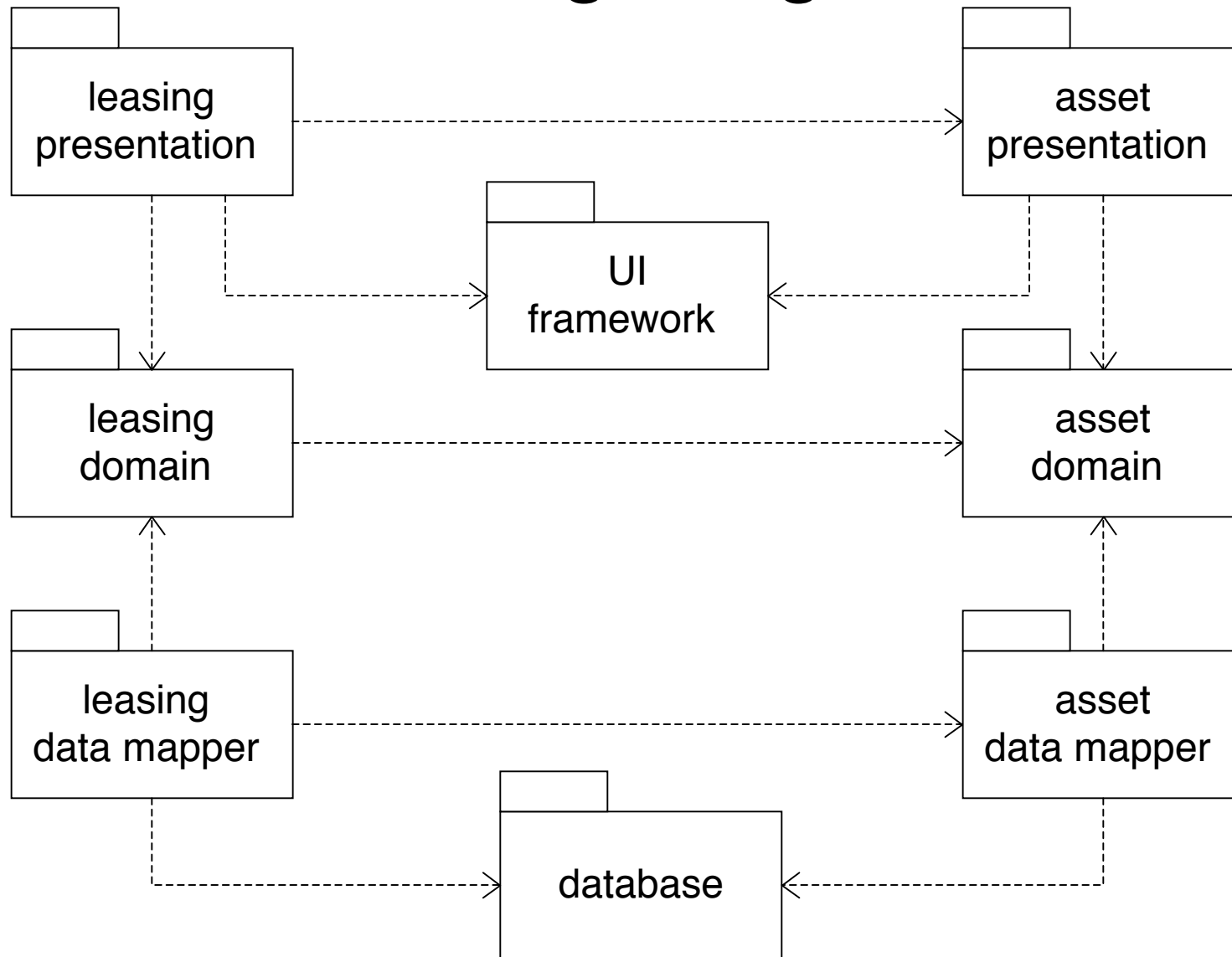
Clusters of classes with strong cohesion

e.g., course, course description, instructor, student,...

Or use an architectural pattern to help find a suitable decomposition

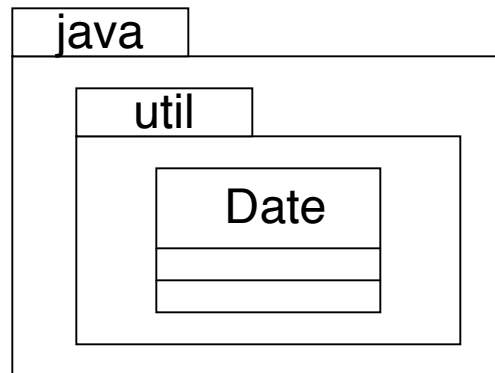
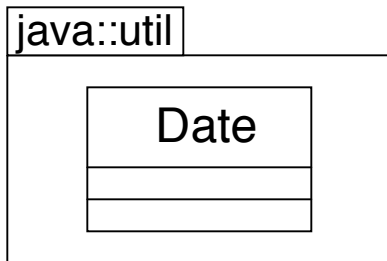
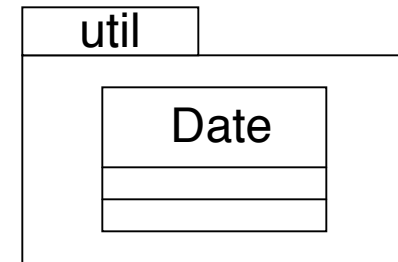
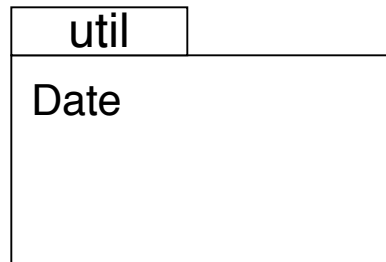
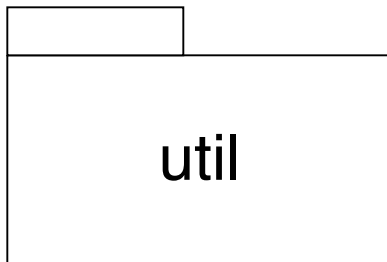


Package Diagrams



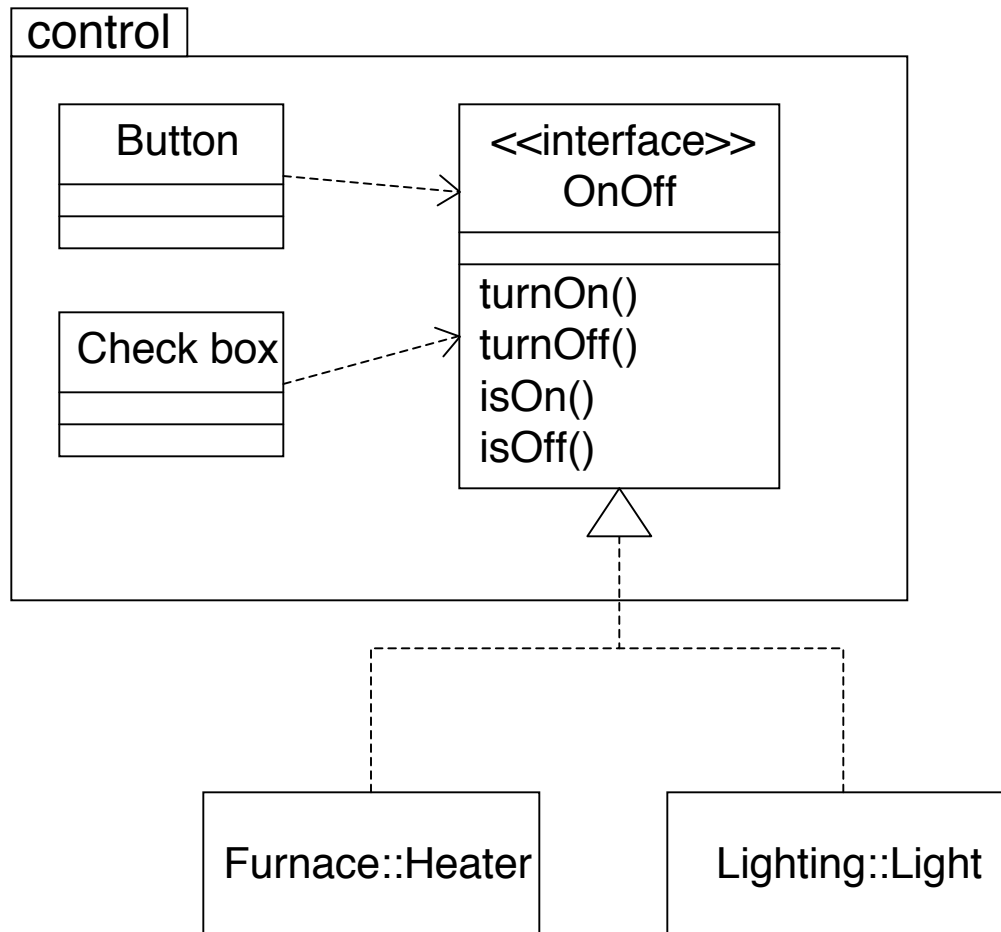


Package notation



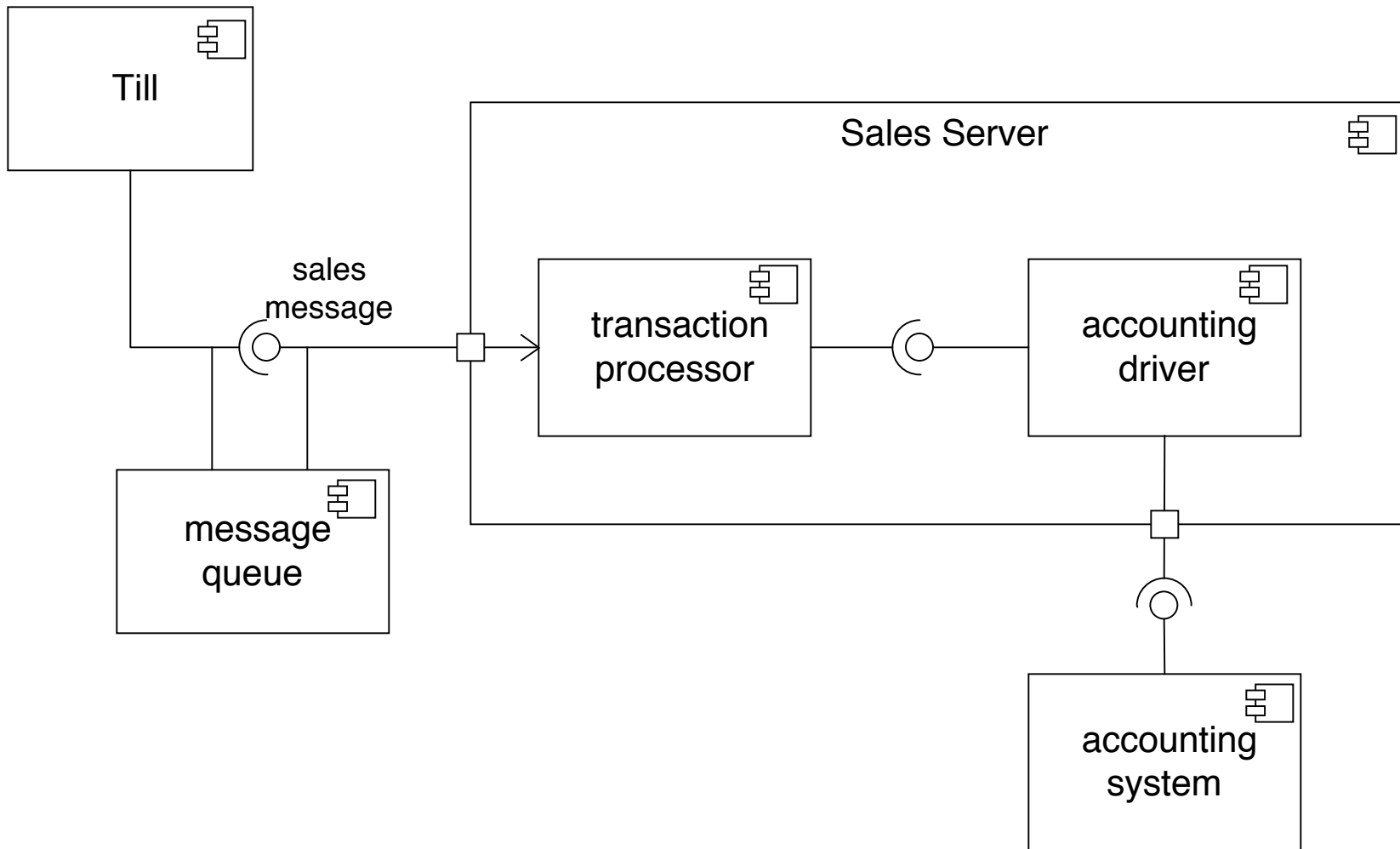


Towards component-based design



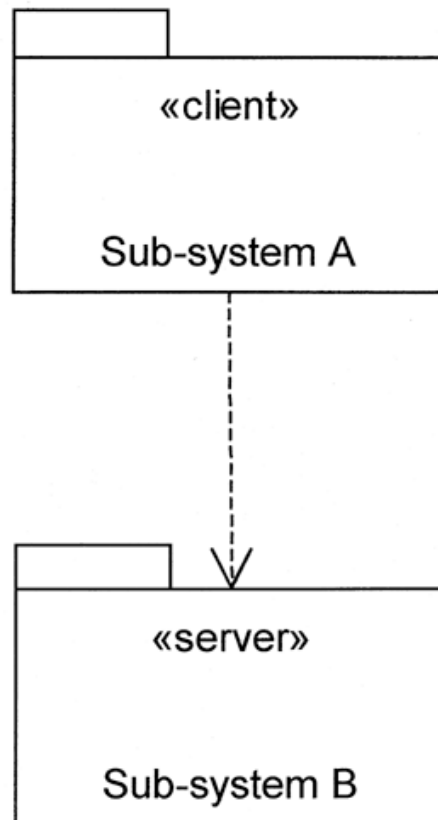


Or use Component Diagrams...

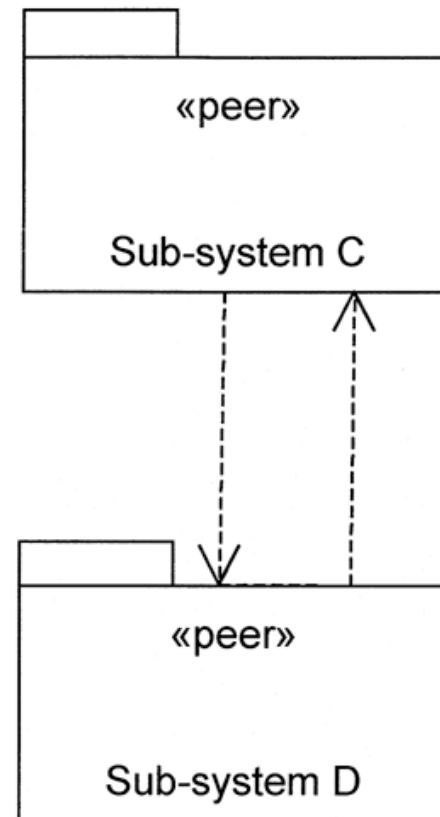




Dependency cycles...



The server sub-system does not depend on the client sub-system and is not affected by changes to the client's interface.

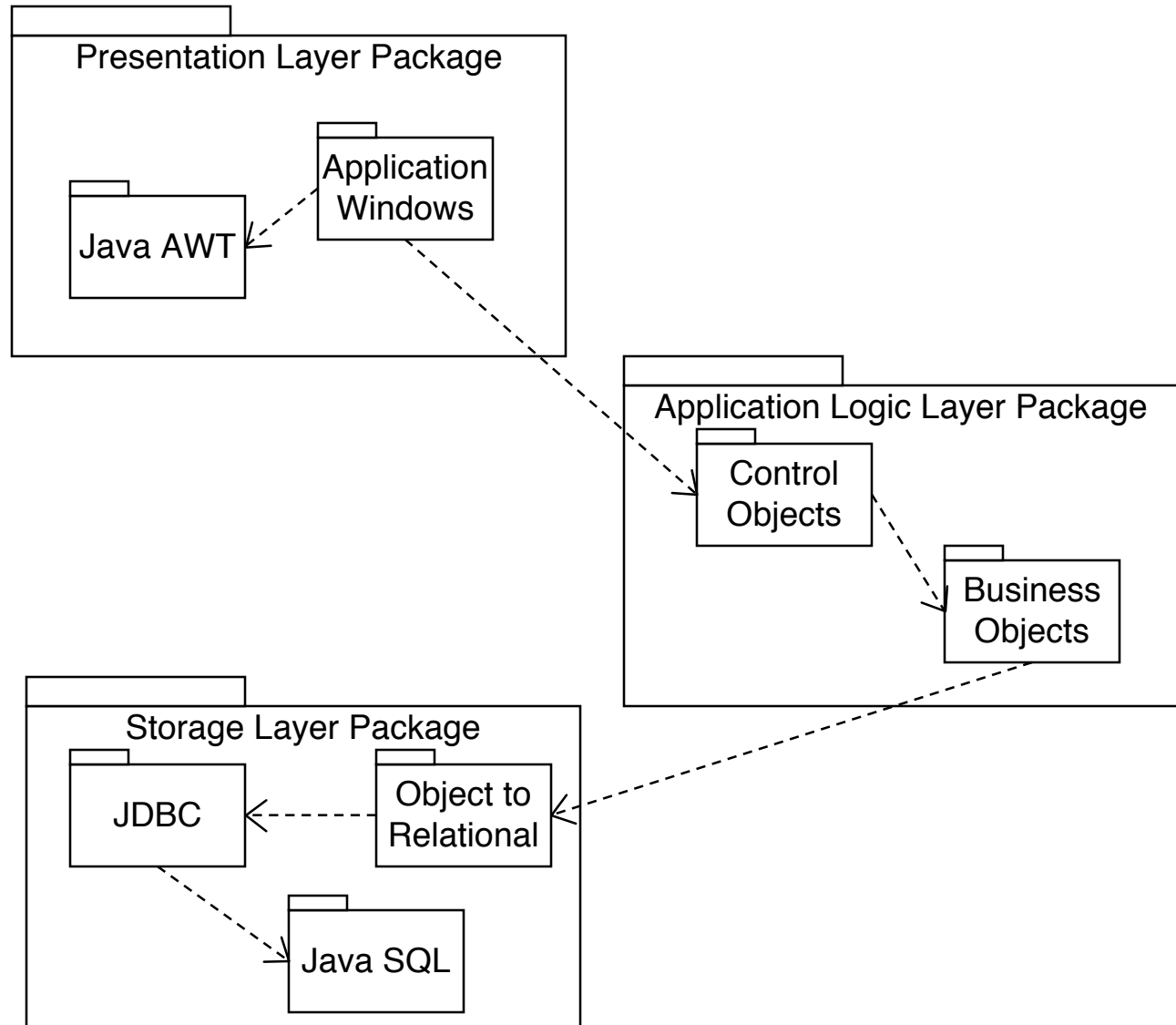
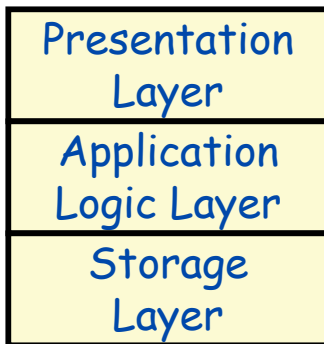


Each peer sub-system depends on the other and each is affected by changes in the other's interface.



Architectural Patterns

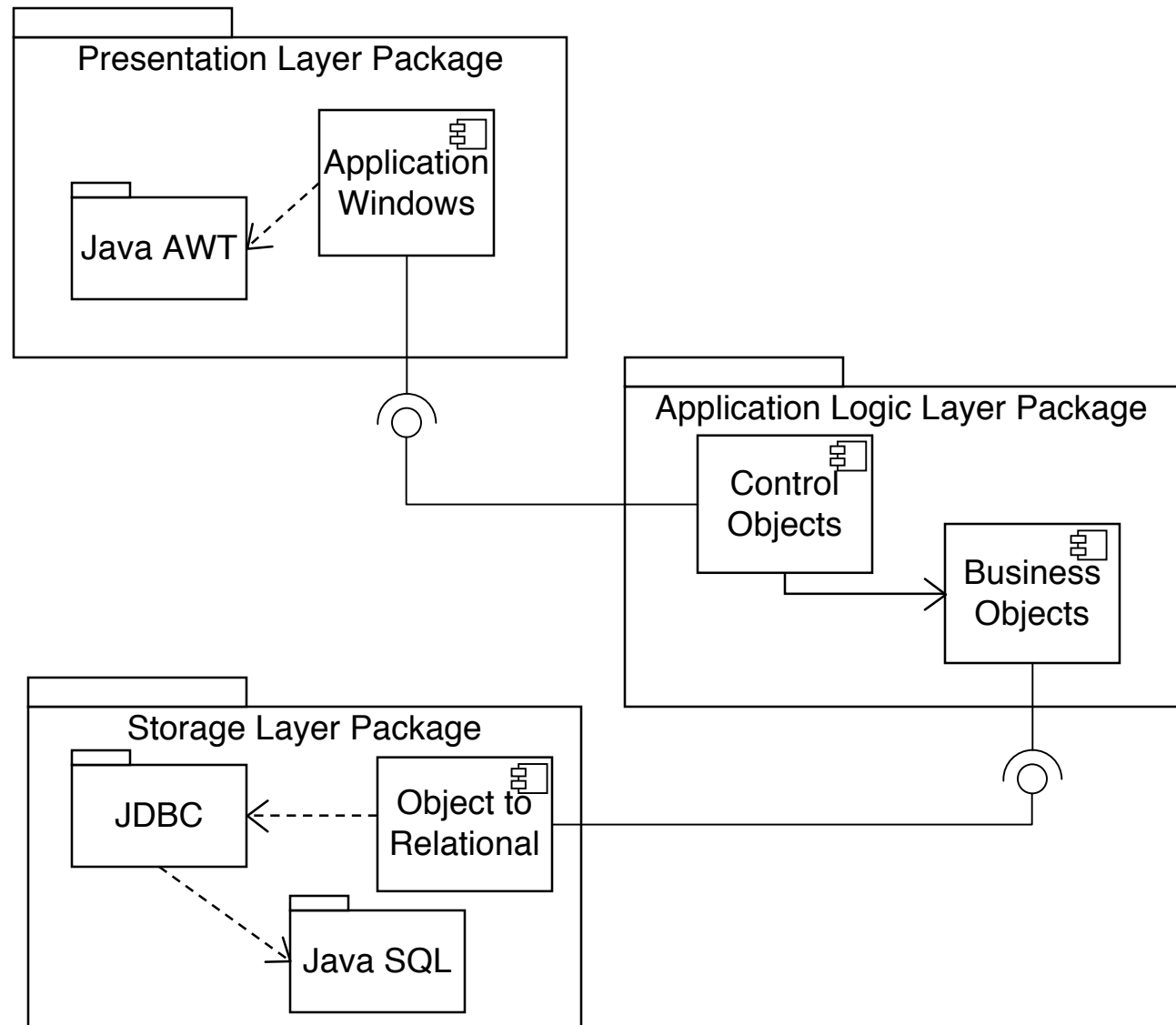
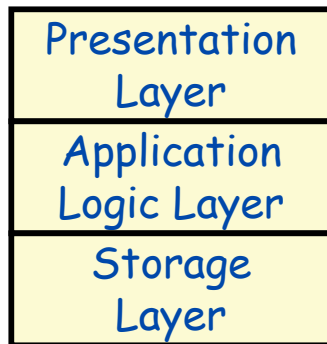
E.g. 3 layer architecture:





Or to show the interfaces...

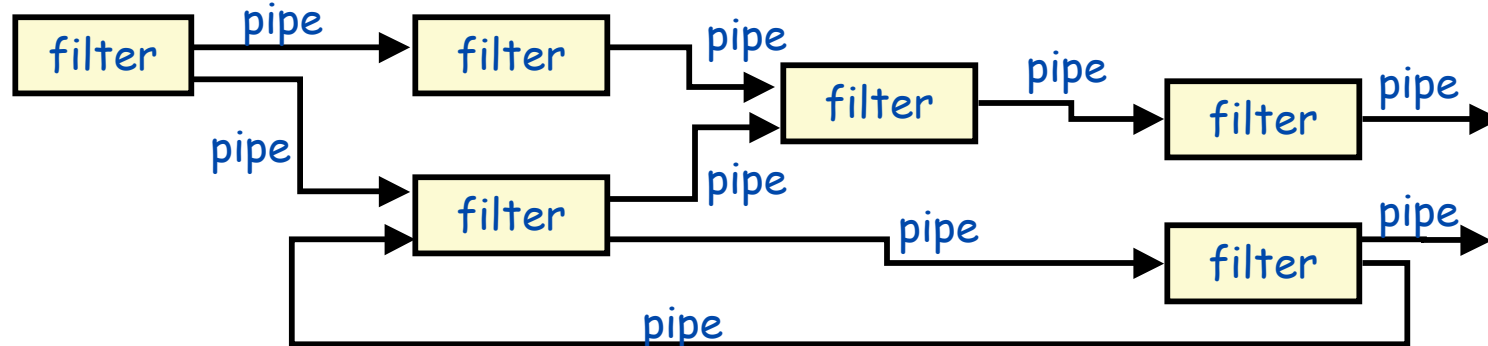
E.g. 3 layer architecture:





Pipe-and-filter

Source: Adapted from Shaw & Garlan 1996, p21-2. See also van Vliet, 1999 Pp266-7 and p279



Examples:

UNIX shell commands

Compilers:

Lexical Analysis -> parsing -> semantic analysis -> code generation

Signal Processing

Interesting properties:

filters don't need to know anything about what they are connected to

filters can be implemented in parallel

behaviour of the system is the composition of behaviour of the filters

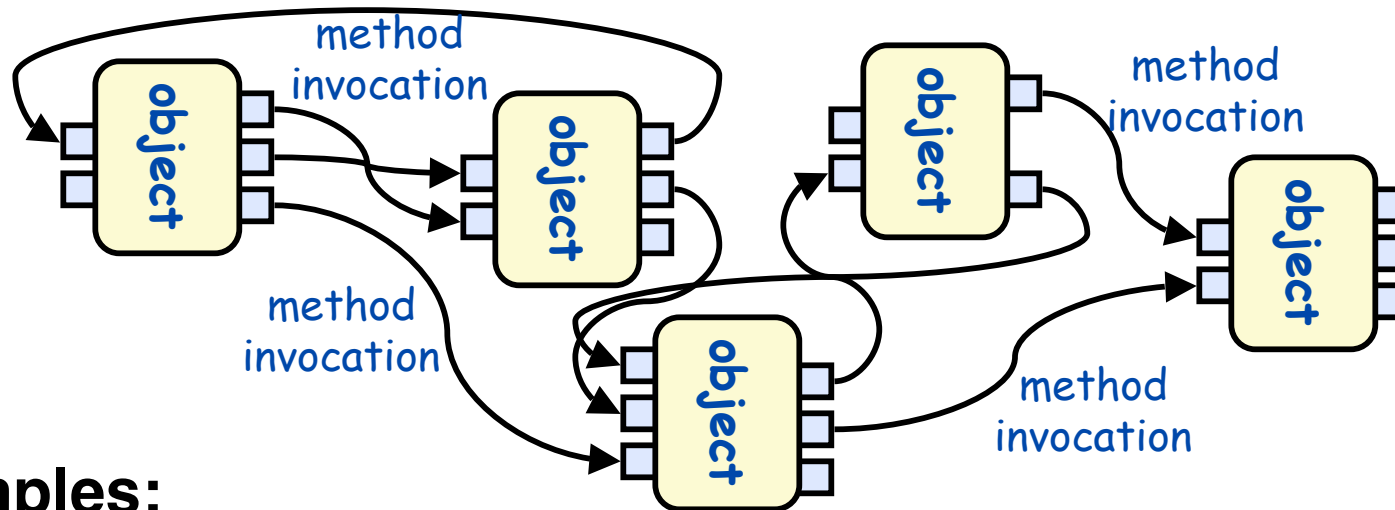
specialized analysis such as throughput and deadlock analysis is possible

This is not UML!



Object Oriented Architectures

Source: Adapted from Shaw & Garlan 1996, p22-3.



Examples:

abstract data types

Interesting properties

- data hiding (internal data representations are not visible to clients)
- can decompose problems into sets of interacting agents
- can be multi-threaded or single thread

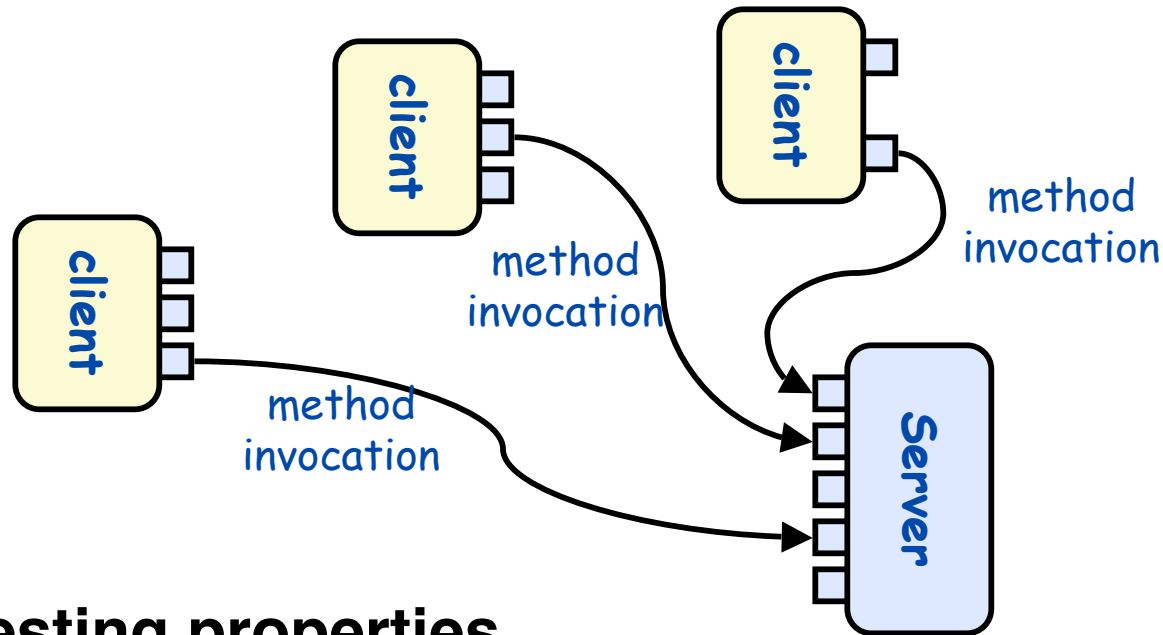
Disadvantages

objects must know the identity of objects they wish to interact with

This is not UML!



Variant 1: Client Server



This is not UML!

Interesting properties

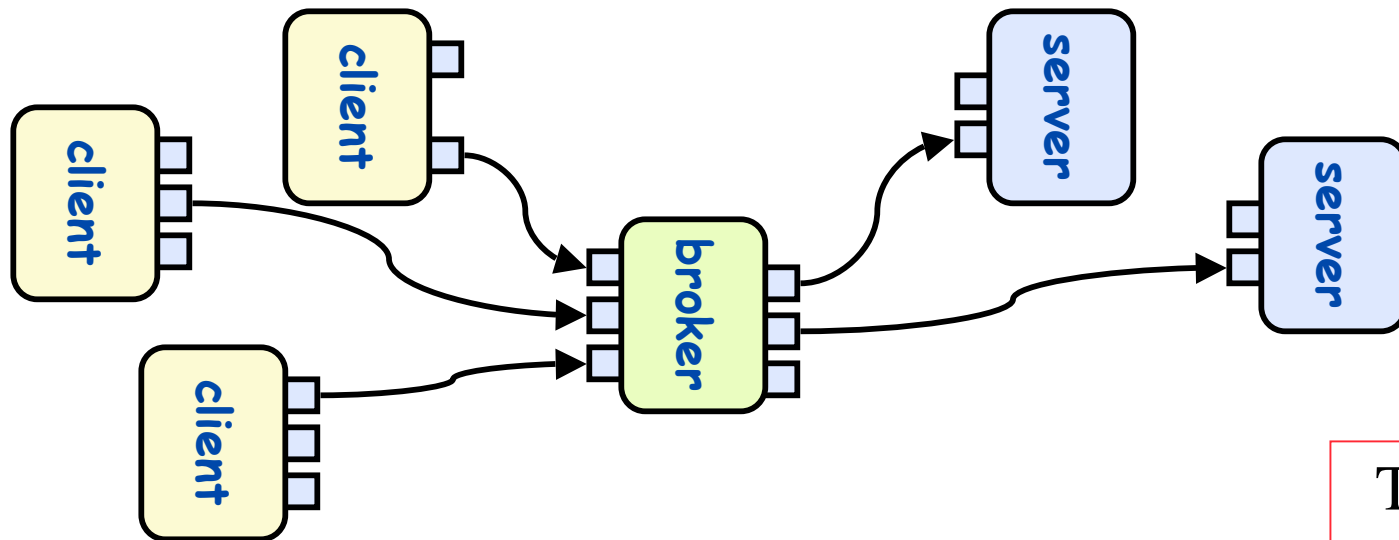
- Is a special case of the previous pattern object oriented architecture
- Clients do not need to know about one another

Disadvantages

- Client objects must know the identity of the server



Variant 2: Object Brokers



Interesting properties

- Adds a broker between the clients and servers
- Clients no longer need to know which server they are using
- Can have many brokers, many servers.

Disadvantages

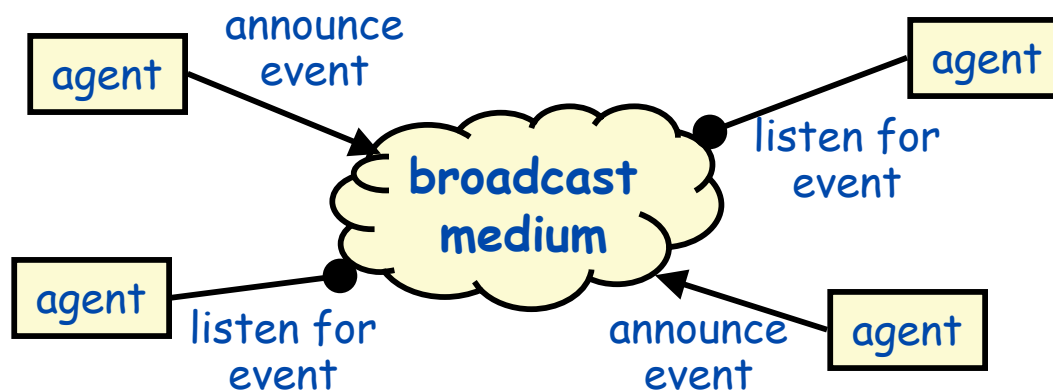
- Broker can become a bottleneck
- Degraded performance

This is not UML!



Event based (implicit invocation)

Source: Adapted from Shaw & Garlan 1996, p23-4. See also van Vliet, 1999 Pp264-5 and p278



Examples

- debugging systems (listen for particular breakpoints)
- database management systems (for data integrity checking)
- graphical user interfaces

Interesting properties

- announcers of events don't need to know who will handle the event
- Supports re-use, and evolution of systems (add new agents easily)

Disadvantages

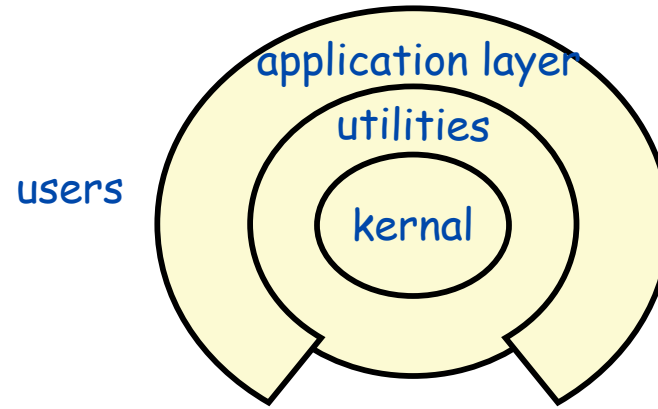
- Components have no control over ordering of computations

This is not UML!



Layered Systems

Source: Adapted from Shaw & Garlan 1996, p25. See also van Vliet, 1999, p281.



Examples

Operating Systems
communication protocols

Interesting properties

Support increasing levels of abstraction during design
Support enhancement (add functionality) and re-use
can define standard layer interfaces

Disadvantages

May not be able to identify (clean) layers

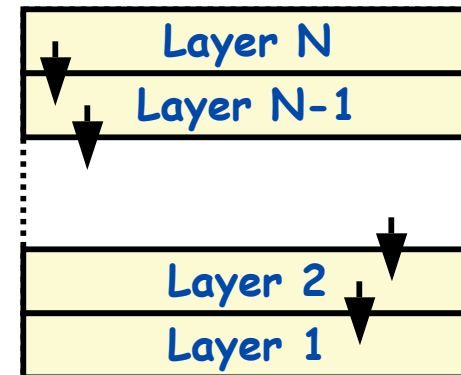
This
is
not
UML!



Open vs. Closed Layered Architecture

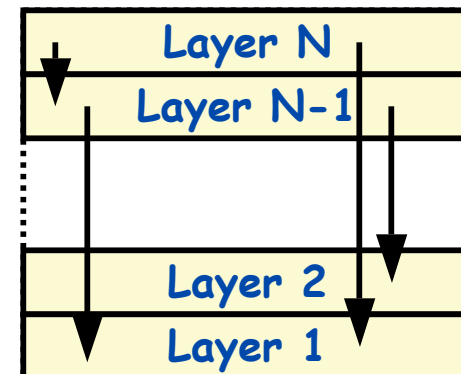
closed architecture

each layer only uses services of the layer immediately below;
Minimizes dependencies between layers and reduces the impact of a change.



open architecture

a layer can use services from any lower layer.
More compact code, as the services of lower layers can be accessed directly
Breaks the encapsulation of layers, so increase dependencies between layers

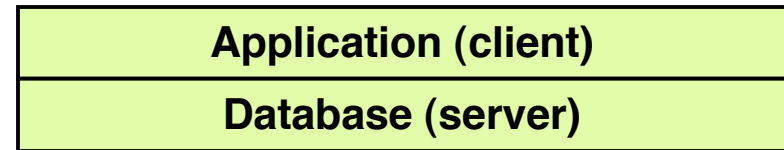




How many layers?

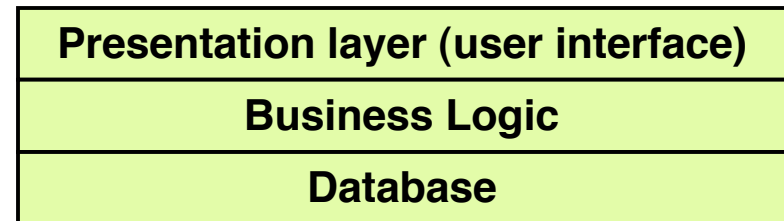
2-layers:

application layer
database layer
e.g. simple client-server model



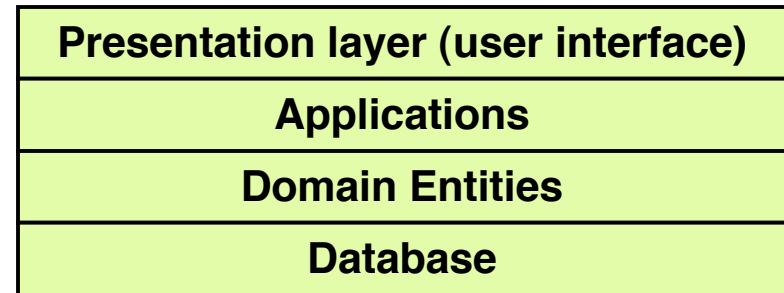
3-layers:

separate out the business logic
helps to make both user interface and database layers modifiable



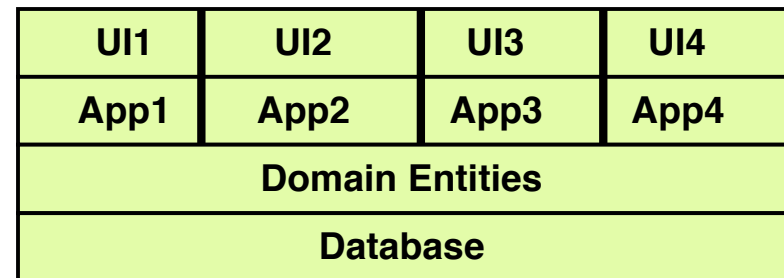
4-layers:

Separates applications from the domain entities that they use:
boundary classes in presentation layer
control classes in application layer
entity classes in domain layer



Partitioned 4-layers

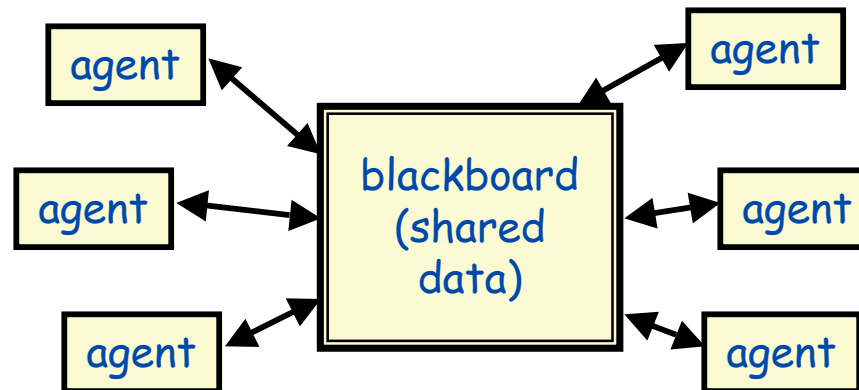
identify separate applications





Repositories

Source: Adapted from Shaw & Garlan 1996, p26-7. See also van Vliet, 1999, p280



Examples

databases

blackboard expert systems

programming environments

Interesting properties

can choose where the locus of control is (agents, blackboard, both)

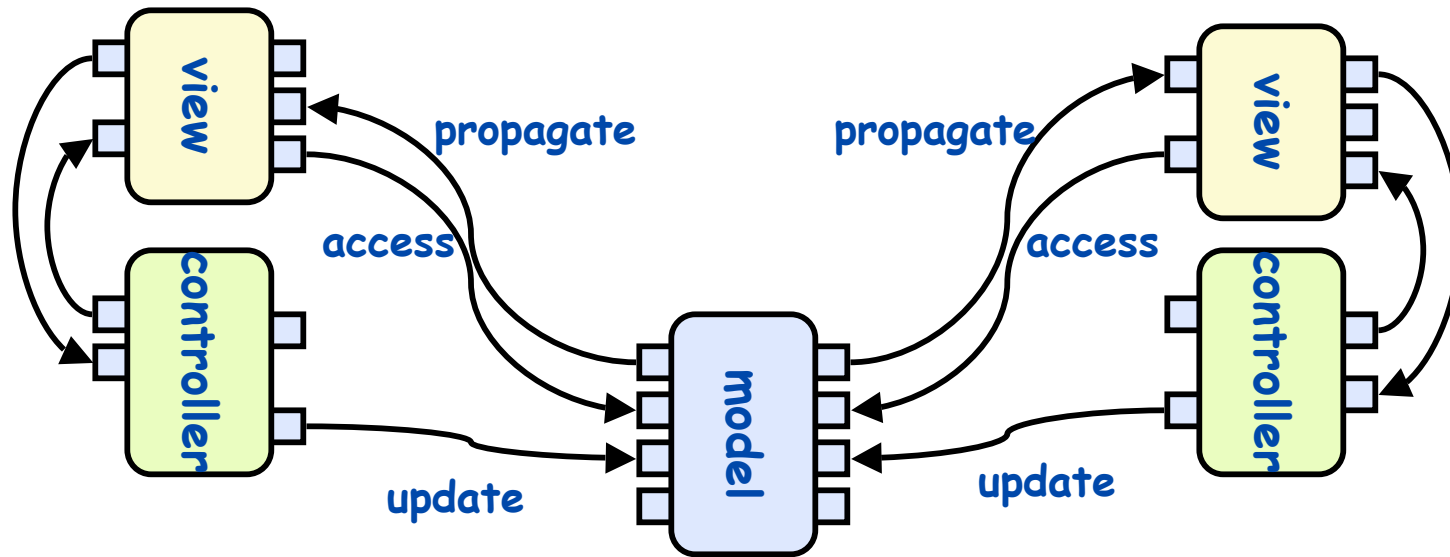
reduce the need to duplicate complex data

Disadvantages

blackboard becomes a bottleneck



Variant: Model-View-Controller



Properties

- One central model, many views (viewers)
- Each view has an associated controller
- The controller handles updates from the user of the view
- Changes to the model are propagated to all the views